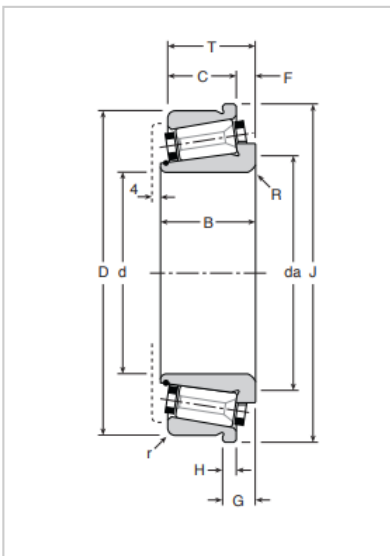


GAMET Super Precision Tapered Roller Bearings

FLANGED CUP (C TYPE)-110057x



Bearing Number	
Cone(Innenring)	110057x
Cup(Outering)	110098xC
Dimensions	
d	57.150
D	98.425
T	26.75
C	21.25
B	29.50
F	5.50
G	10.00
H	4.50
J	102.93
r	70
da	2.50
R	2.00
Static Stiffness (daN/ μ)	
Rad.	68
Axi.	13
Basic Rating (daN)	
Rad.	1570
Axi.	990
Speed(rpm)	
max	6900
Weight	
kg	0.915

FLANGED CUP (C TYPE)

The flanged cup version enables through boring of the housing for simplicity and accuracy.