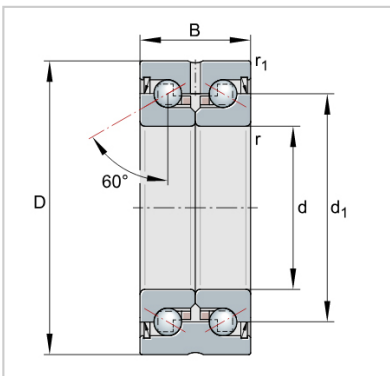


ZKLF ZKLN Double Direction Axial Angular Contact Ball Bearings

ZKLN Axial angular contact ball bearings-ZKLN70120-2Z



Designation	ZKLN70120-2Z
Mass m = kg	2.4
Dimensions	
d	70
D -0,010	120
B -0,25	45
d1	95
r min.	0.6
r1 min.	0.6
Mounting dimensions	
Da max.	110
da min.	92
Basic load ratings axial	
dyn. Ca N	97000
stat. C0a N	241000
Fatigue limit load Cu N	14200
Lim- iting speed nG	3800
grease min-1	
Thermally safe	2800
operating speed nP	
min-1	
Bearing frictional torque1.2	
MR Nm	
Rigidity axial caL N/μm	1450
Tilting rigidity ckL	2250
Nm/mrad	
Mass moment of	19.8
inertia1) Mm kg · cm ²	
Axial runout1) μm	3
Recommended INA precision locknut2)	
For radial locking	ZMA70/110
Tightening torque4) MA AM70	
Nm	
Tightening torque4) MA 130	
Nm	
Required locknut	19031
force3) axial N	