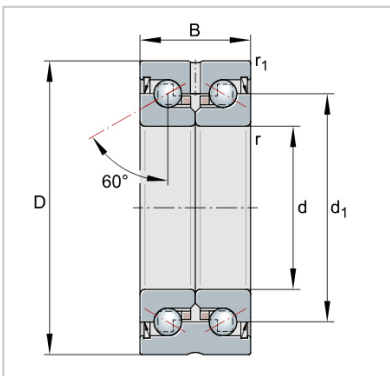


ZKLF ZKLN Double Direction Axial Angular Contact Ball Bearings

ZKLN Axial angular contact ball bearings-**ZKLN60110-2Z**



Designation	ZKLN60110-2Z
Mass m = kg	2.2
Dimensions	
d	60
D -0,010	110
B -0,25	45
d1	85
r min.	0.6
r1 min.	0.6
Mounting dimensions	
Da max.	100
da min.	82
Basic load ratings axial	
dyn. Ca N	93000
stat. C0a N	214000
Fatigue limit load Cu N	12600
Lim- iting speed nG	4000
grease min-1	
Thermally safe	3000
operating speed nP	
min-1	
Bearing frictional torque ¹	
MR Nm	
Rigidity axial caL N/μm	1300
Tilting rigidity ckL	1650
Nm/mrad	
Mass moment of	13.7
inertia ¹) Mm kg · cm ²	
Axial runout ¹) μm	3
Recommended INA precision locknut ²)	
For radial locking	ZMA60/98
Tightening torque ⁴) MA AM60	
Nm	
Tightening torque ⁴) MA 100	
Nm	
Required locknut	16700
force ³) axial N	