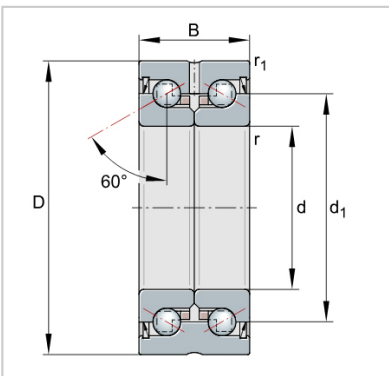


ZKLF ZKLN Double Direction Axial Angular Contact Ball Bearings

ZKLN Axial angular contact ball bearings-**ZKLN5090-2RS**



Designation	ZKLN5090-2RS
Mass m = kg	0.88
Dimensions	
d	50
D -0,010	90
B -0,25	34
d1	72
r min.	0.3
r1 min.	0.6
Mounting dimensions	
Da max.	82
da min.	63
Basic load ratings axial	
dyn. Ca N	51000
stat. C0a N	126000
Fatigue limit load Cu N	7400
Lim- iting speed nG	3200
grease min-1	
Thermally safe	1500
operating speed nP	
min-1	
Bearing frictional torque	0.9
MR Nm	
Rigidity axial caL N/μm	1250
Tilting rigidity ckL	1000
Nm/mrad	
Mass moment of	5.24
inertia1) Mm kg · cm ²	
Axial runout1) μm	2.5
Recommended INA precision locknut2)	
For radial locking	ZM50
Tightening torque4) MA	AM50
Nm	
Tightening torque4) MA	85
Nm	
Required locknut	16280
force3) axial N	