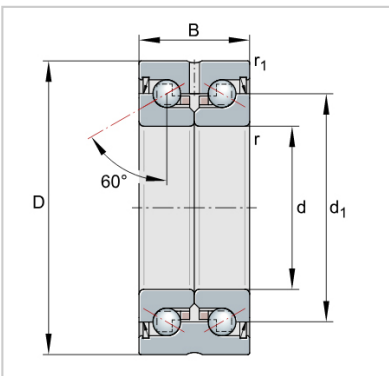


ZKLF ZKLN Double Direction Axial Angular Contact Ball Bearings

ZKLN Axial angular contact ball bearings-**ZKLN5090-2RS-2AP**



| | |
|-------------------------------------|-------------------------|
| Designation | ZKLN5090-2RS-2AP |
| Mass m = kg | 1.76 |
| Dimensions | |
| d | 50 |
| D -0,010 | 90 |
| B -0,25 | 68 |
| d1 | 72 |
| r min. | 0.3 |
| r1 min. | 0.6 |
| Mounting dimensions | |
| Da max. | 82 |
| da min. | 63 |
| Basic load ratings axial | |
| dyn. Ca N | 83000 |
| stat. C0a N | 250000 |
| Fatigue limit load Cu N | 14900 |
| Lim- iting speed nG | 3200 |
| grease min-1 | |
| Thermally safe | 1500 |
| operating speed nP | |
| min-1 | |
| Bearing frictional torque | 1.35 |
| MR Nm | |
| Rigidity axial caL N/μm | 2200 |
| Tilting rigidity ckL | 2250 |
| Nm/mrad | |
| Mass moment of | 10.48 |
| inertia1) Mm kg · cm ² | |
| Axial runout1) μm | 2.5 |
| Recommended INA precision locknut2) | |
| For radial locking | ZMA50/75 |
| Tightening torque4) MA AM50 | |
| Nm | |
| Tightening torque4) MA 85 | |
| Nm | |
| Required locknut | 16280 |
| force3) axial N | |