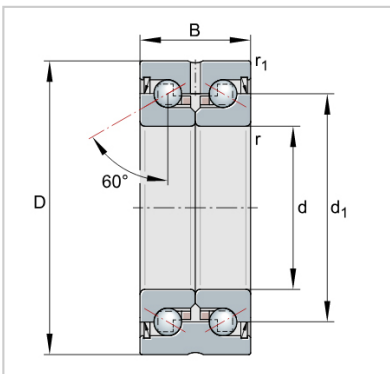


ZKLF ZKLN Double Direction Axial Angular Contact Ball Bearings

ZKLN Axial angular contact ball bearings-**ZKLN50110-2RS**



Designation	ZKLN50110-2RS
Mass m = kg	2.5
Dimensions	
d	50
D -0,010	110
B -0,25	54
d1	80
r min.	0.6
r1 min.	0.6
Mounting dimensions	
Da max.	98
da min.	63
Basic load ratings axial	
dyn. Ca N	125000
stat. C0a N	250000
Fatigue limit load Cu N	14800
Lim- iting speed nG	2900
grease min-1	
Thermally safe	1200
operating speed nP	
min-1	
Bearing frictional torque	2.6
MR Nm	
Rigidity axial caL N/μm	1400
Tilting rigidity ckL	1500
Nm/mrad	
Mass moment of	15.2
inertia1) Mm kg · cm ²	
Axial runout1) μm	2.5
Recommended INA precision locknut2)	
For radial locking	ZMA50/75
Tightening torque4) MA AM50	
Nm	
Tightening torque4) MA 150	
Nm	
Required locknut	28451
force3) axial N	