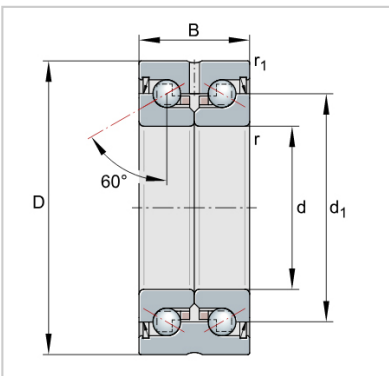


ZKLF ZKLN Double Direction Axial Angular Contact Ball Bearings

ZKLN Axial angular contact ball bearings-ZKLN4075-2RS



Designation	ZKLN4075-2RS
Mass m = kg	0.61
Dimensions	
d	40
D -0,010	75
B -0,25	34
d1	58
r min.	0.3
r1 min.	0.6
Mounting dimensions	
Da max.	67
da min.	50
Basic load ratings axial	
dyn. Ca N	47500
stat. C0a N	101000
Fatigue limit load Cu N	6000
Lim- iting speed nG	4000
grease min-1	
Thermally safe	1800
operating speed nP	
min-1	
Bearing frictional torque	0.7
MR Nm	
Rigidity axial caL N/μm	1000
Tilting rigidity ckL	550
Nm/mrad	
Mass moment of	2.26
inertia1) Mm kg · cm ²	
Axial runout1) μm	2.5
Recommended INA precision locknut2)	
For radial locking	ZM40
Tightening torque4) MA	AM40
Nm	
Tightening torque4) MA	55
Nm	
Required locknut	13412
force3) axial N	