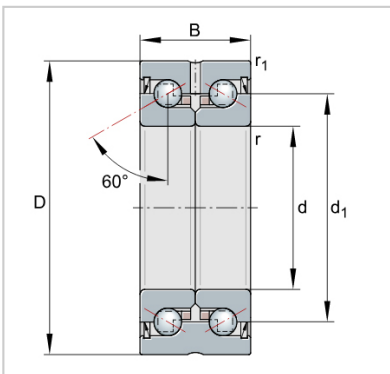


ZKLF ZKLN Double Direction Axial Angular Contact Ball Bearings

ZKLN Axial angular contact ball bearings-**ZKLN4075-2RS-2AP**



Designation	ZKLN4075-2RS-2AP
Mass m = kg	1.22
Dimensions	
d	40
D -0,010	75
B -0,25	68
d1	58
r min.	0.3
r1 min.	0.6
Mounting dimensions	
Da max.	67
da min.	50
Basic load ratings axial	
dyn. Ca N	77000
stat. C0a N	202000
Fatigue limit load Cu N	11900
Lim- iting speed nG	4000
grease min-1	
Thermally safe	1800
operating speed nP	
min-1	
Bearing frictional torque	1.05
MR Nm	
Rigidity axial caL N/μm	1750
Tilting rigidity ckL	1200
Nm/mrad	
Mass moment of	4.52
inertia1) Mm kg · cm ²	
Axial runout1) μm	2.5
Recommended INA precision locknut2)	
For radial locking	ZMA40/62
Tightening torque4) MA AM40	
Nm	
Tightening torque4) MA 55	
Nm	
Required locknut	13412
force3) axial N	