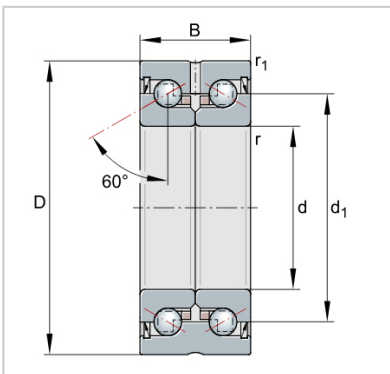


ZKLF ZKLN Double Direction Axial Angular Contact Ball Bearings

ZKLN Axial angular contact ball bearings-**ZKLN3572-2RS-2AP**



Designation	<b>ZKLN3572-2RS-2AP</b>
Mass m = kg	1.02
Dimensions	
d	<b>35</b>
D -0,010	<b>72</b>
B -0,25	68
d1	52
r min.	0.3
r1 min.	0.6
Mounting dimensions	
Da max.	62
da min.	45
Basic load ratings axial	
dyn. Ca N	73000
stat. C0a N	177000
Fatigue limit load Cu N	10500
Lim- iting speed nG	4400
grease min-1	
Thermally safe	2000
operating speed nP	
min-1	
Bearing frictional torque	0.9
MR Nm	
Rigidity axial caL N/μm	1600
Tilting rigidity ckL	900
Nm/mrad	
Mass moment of	3.02
inertia1) Mm kg · cm <sup>2</sup>	
Axial runout1) μm	2.5
Recommended INA precision locknut2)	
For radial locking	ZMA35/58
Tightening torque4) MA	AM35/58
Nm	
Tightening torque4) MA	40
Nm	
Required locknut	10770
force3) axial N	