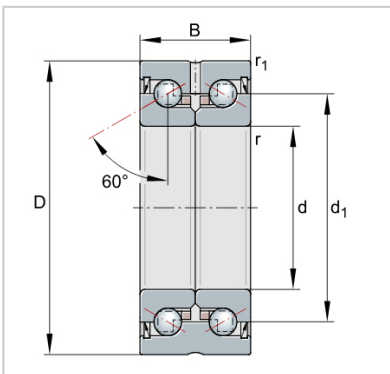


ZKLF ZKLN Double Direction Axial Angular Contact Ball Bearings

ZKLN Axial angular contact ball bearings-**ZKLN3072-2Z**



Designation	ZKLN3072-2Z
Mass m = kg	0.72
Dimensions	
d	30
D -0,010	72
B -0,25	38
d1	51
r min.	0.3
r1 min.	0.6
Mounting dimensions	
Da max.	64
da min.	47
Basic load ratings axial	
dyn. Ca N	65000
stat. C0a N	108000
Fatigue limit load Cu N	6400
Lim- iting speed nG	5600
grease min-1	
Thermally safe	4000
operating speed nP	
min-1	
Bearing frictional torque	0.4
MR Nm	
Rigidity axial caL N/μm	950
Tilting rigidity ckL	400
Nm/mrad	
Mass moment of inertia1) Mm kg · cm ²	1.91
Axial runout1) μm	2.5
Recommended INA precision locknut2)	
For radial locking	ZMA30/52
Tightening torque4) MA AM30	
Nm	
Tightening torque4) MA 65	
Nm	
Required locknut force3) axial N	19509