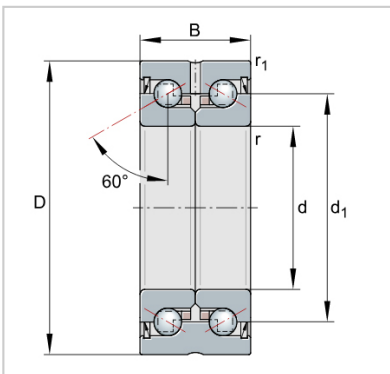


ZKLF ZKLN Double Direction Axial Angular Contact Ball Bearings

ZKLN Axial angular contact ball bearings-**ZKLN3072-2RS**



| | |
|--|---------------------|
| Designation | ZKLN3072-2RS |
| Mass m = kg | 0.72 |
| Dimensions | |
| d | 30 |
| D -0,010 | 72 |
| B -0,25 | 38 |
| d1 | 51 |
| r min. | 0.3 |
| r1 min. | 0.6 |
| Mounting dimensions | |
| Da max. | 64 |
| da min. | 47 |
| Basic load ratings axial | |
| dyn. Ca N | 65000 |
| stat. C0a N | 108000 |
| Fatigue limit load Cu N | 6400 |
| Lim- iting speed nG | 4500 |
| grease min-1 | |
| Thermally safe | 2100 |
| operating speed nP | |
| min-1 | |
| Bearing frictional torque | 0.8 |
| MR Nm | |
| Rigidity axial caL N/μm | 950 |
| Tilting rigidity ckL | 400 |
| Nm/mrad | |
| Mass moment of inertia1) Mm kg · cm ² | 1.91 |
| Axial runout1) μm | 2.5 |
| Recommended INA precision locknut2) | |
| For radial locking | ZMA30/52 |
| Tightening torque4) MA AM30 | |
| Nm | |
| Tightening torque4) MA 65 | |
| Nm | |
| Required locknut force3) axial N | 19509 |