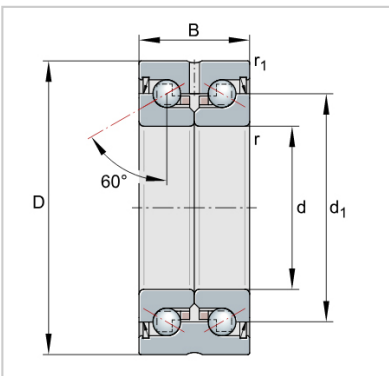


ZKLF ZKLN Double Direction Axial Angular Contact Ball Bearings

ZKLN Axial angular contact ball bearings-**ZKLN3062-2RS**



Designation	<b>ZKLN3062-2RS</b>
Mass m = kg	0.39
Dimensions	
d	<b>30</b>
D -0,010	<b>62</b>
B -0,25	28
d1	45.5
r min.	0.3
r1 min.	0.6
Mounting dimensions	
Da max.	53
da min.	40
Basic load ratings axial	
dyn. Ca N	32000
stat. C0a N	64000
Fatigue limit load Cu N	3750
Lim- iting speed nG	5000
grease min-1	
Thermally safe	2200
operating speed nP	
min-1	
Bearing frictional torque	0.5
MR Nm	
Rigidity axial caL N/μm	850
Tilting rigidity ckL	300
Nm/mrad	
Mass moment of inertia1) Mm kg · cm <sup>2</sup>	0.73
Axial runout1) μm	2.5
Recommended INA precision locknut2)	
For radial locking	ZM30
Tightening torque4) MA AM30	
Nm	
Tightening torque4) MA 32	
Nm	
Required locknut force3) axial N	9947