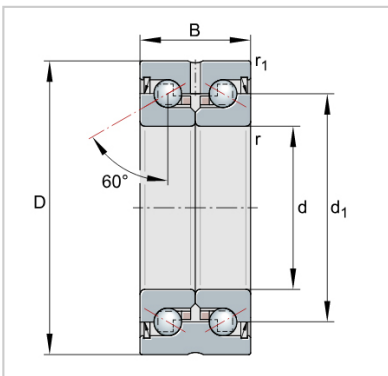


ZKLF ZKLN Double Direction Axial Angular Contact Ball Bearings

ZKLN Axial angular contact ball bearings-ZKLN3062-2RS-2AP



Designation	ZKLN3062-2RS-2AP
Mass m = kg	0.78
Dimensions	
d	30
D -0,010	62
B -0,25	56
d1	45.5
r min.	0.3
r1 min.	0.6
Mounting dimensions	
Da max.	53
da min.	40
Basic load ratings axial	
dyn. Ca N	52000
stat. C0a N	127000
Fatigue limit load Cu N	7500
Lim- iting speed nG	5000
grease min-1	
Thermally safe	2200
operating speed nP	
min-1	
Bearing frictional torque	0.75
MR Nm	
Rigidity axial caL N/μm	1500
Tilting rigidity ckL	620
Nm/mrad	
Mass moment of inertia1) Mm kg · cm ²	1.46
Axial runout1) μm	2.5
Recommended INA precision locknut2)	
For radial locking	ZMA30/52
Tightening torque4) MA AM30	
Nm	
Tightening torque4) MA 32	
Nm	
Required locknut force3) axial N	9947