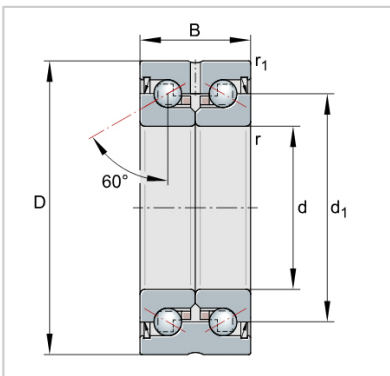


ZKLF ZKLN Double Direction Axial Angular Contact Ball Bearings

ZKLN Axial angular contact ball bearings-ZKLN2557-2Z



Designation	ZKLN2557-2Z
Mass m = kg	0.34
Dimensions	
d	25
D -0,010	57
B -0,25	28
d1	40.5
r min.	0.3
r1 min.	0.6
Mounting dimensions	
Da max.	48
da min.	32
Basic load ratings axial	
dyn. Ca N	30500
stat. C0a N	55000
Fatigue limit load Cu N	3250
Lim- iting speed nG	7500
grease min-1	
Thermally safe	4700
operating speed nP	
min-1	
Bearing frictional torque	0.2
MR Nm	
Rigidity axial caL N/μm	750
Tilting rigidity ckL	200
Nm/mrad	
Mass moment of inertia1) Mm kg · cm ²	0.486
Axial runout1) μm	2
Recommended INA precision locknut2)	
For radial locking	ZM25
Tightening torque4) MA	AM25
Nm	
Tightening torque4) MA	25
Nm	
Required locknut force3) axial N	9123