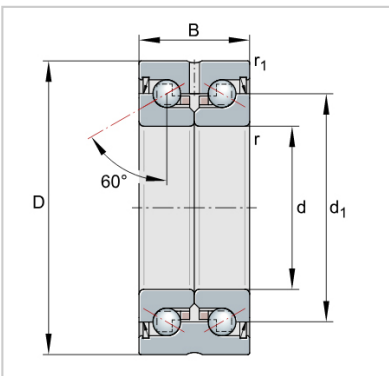


ZKLF ZKLN Double Direction Axial Angular Contact Ball Bearings

ZKLN Axial angular contact ball bearings-**ZKLN2052-2RS-2AP**



Designation	<b>ZKLN2052-2RS-2AP</b>
Mass m = kg	0.62
Dimensions	
d	<b>20</b>
D -0,010	<b>52</b>
B -0,25	56
d1	34.5
r min.	0.3
r1 min.	0.6
Mounting dimensions	
Da max.	43
da min.	25
Basic load ratings axial	
dyn. Ca N	46000
stat. C0a N	94000
Fatigue limit load Cu N	5500
Lim- iting speed nG	6600
grease min-1	
Thermally safe	3000
operating speed nP	
min-1	
Bearing frictional torque	0.45
MR Nm	
Rigidity axial caL N/μm	1150
Tilting rigidity ckL	320
Nm/mrad	
Mass moment of	0.546
inertia1) Mm kg · cm <sup>2</sup>	
Axial runout1) μm	<b>2</b>
Recommended INA precision locknut2)	
For radial locking	ZMA20/38
Tightening torque4) MA AM20	
Nm	
Tightening torque4) MA 18	
Nm	
Required locknut	8258
force3) axial N	