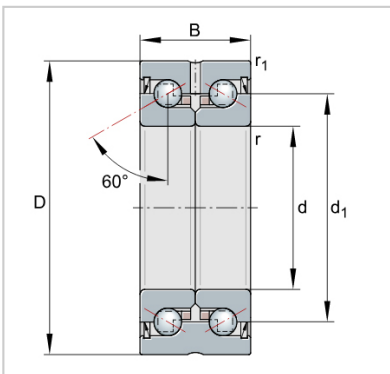


ZKLF ZKLN Double Direction Axial Angular Contact Ball Bearings

ZKLN Axial angular contact ball bearings-**ZKLN1747-2RS**



Designation	ZKLN1747-2RS
Mass m = kg	0.22
Dimensions	
d	17
D -0,010	47
B -0,25	25
d1	30
r min.	0.3
r1 min.	0.6
Mounting dimensions	
Da max.	37
da min.	23
Basic load ratings axial	
dyn. Ca N	20700
stat. C0a N	31000
Fatigue limit load Cu N	1840
Lim- iting speed nG	7600
grease min-1	
Thermally safe	3300
operating speed nP	
min-1	
Bearing frictional torque	0.24
MR Nm	
Rigidity axial caL N/μm	450
Tilting rigidity ckL	80
Nm/mrad	
Mass moment of	0.132
inertia1) Mm kg · cm ²	
Axial runout1) μm	2
Recommended INA precision locknut2)	
For radial locking	ZM17
Tightening torque4) MA	AM17
Nm	
Tightening torque4) MA	15
Nm	
Required locknut	7514
force3) axial N	