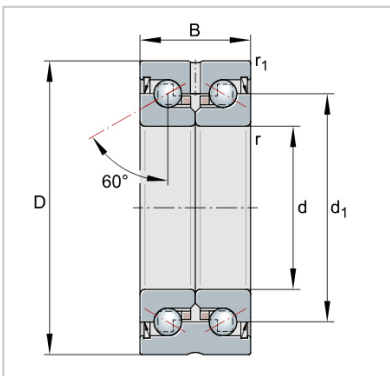


ZKLF ZKLN Double Direction Axial Angular Contact Ball Bearings

ZKLN Axial angular contact ball bearings-**ZKLN1545-2RS-PE**



Designation	ZKLN1545-2RS-PE
Mass m = kg	0.21
Dimensions	
d	15
D -0,010	45
B -0,25	25
d1	28
r min.	0.3
r1 min.	0.6
Mounting dimensions	
Da max.	35
da min.	20
Basic load ratings axial	
dyn. Ca N	17900
stat. C0a N	28000
Fatigue limit load Cu N	1240
Lim- iting speed nG	8200
grease min-1	
Thermally safe	3500
operating speed nP	
min-1	
Bearing frictional torque	0.2
MR Nm	
Rigidity axial caL N/μm	400
Tilting rigidity ckL	65
Nm/mrad	
Mass moment of inertia1) Mm kg · cm ²	0.102
Axial runout1) μm	5
Recommended INA precision locknut2)	
For radial locking	ZM15
Tightening torque4) MA AM15	
Nm	
Tightening torque4) MA 10	
Nm	
Required locknut force3) axial N	5484