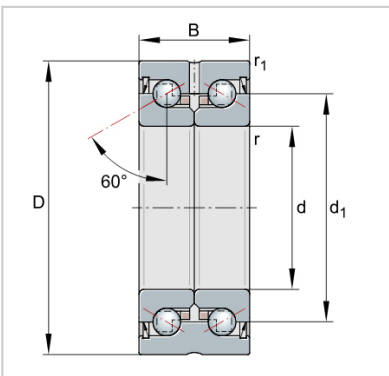


ZKLF ZKLN Double Direction Axial Angular Contact Ball Bearings

ZKLN Axial angular contact ball bearings-ZKLN1242-2RS



Designation	ZKLN1242-2RS
Mass m = kg	0.2
Dimensions	
d	12
D -0,010	42
B -0,25	25
d1	25
r min.	0.3
r1 min.	0.6
Mounting dimensions	
Da max.	33
da min.	16
Basic load ratings axial	
dyn. Ca N	18600
stat. C0a N	24700
Fatigue limit load Cu N	1460
Lim- iting speed nG	9200
grease min-1	
Thermally safe	3800
operating speed nP	
min-1	
Bearing frictional torque	0.16
MR Nm	
Rigidity axial caL N/μm	375
Tilting rigidity ckL	50
Nm/mrad	
Mass moment of inertia1) Mm kg · cm ²	0.068
Axial runout1) μm	2
Recommended INA precision locknut2)	
For radial locking	ZM12
Tightening torque4) MA - Nm	
Tightening torque4) MA 8 Nm	
Required locknut force3) axial N	5307