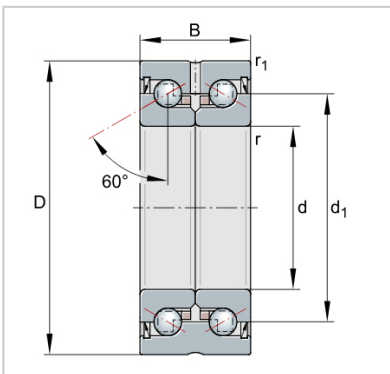


ZKLF ZKLN Double Direction Axial Angular Contact Ball Bearings

ZKLN Axial angular contact ball bearings-ZKLN1034-2RS



Designation	ZKLN1034-2RS
Mass m = kg	0.1
Dimensions	
d	10
D -0,010	34
B -0,25	20
d1	21
r min.	0.3
r1 min.	0.6
Mounting dimensions	
Da max.	28
da min.	14
Basic load ratings axial	
dyn. Ca N	14700
stat. C0a N	18800
Fatigue limit load Cu N	1110
Lim- iting speed nG	10900
grease min-1	
Thermally safe	4600
operating speed nP	
min-1	
Bearing frictional torque	0.12
MR Nm	
Rigidity axial caL N/μm	325
Tilting rigidity ckL	25
Nm/mrad	
Mass moment of	0.029
inertia1) Mm kg · cm ²	
Axial runout1) μm	2
Recommended INA precision locknut2)	
For radial locking	ZM10
Tightening torque4) MA -	
Nm	
Tightening torque4) MA 6	
Nm	
Required locknut	4891
force3) axial N	