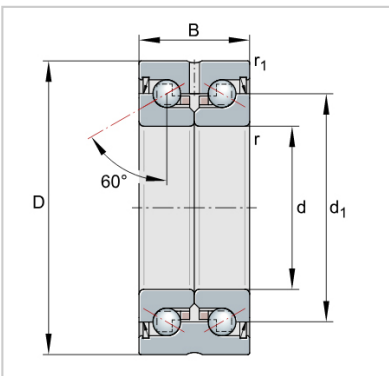


ZKLF ZKLN Double Direction Axial Angular Contact Ball Bearings

ZKLN Axial angular contact ball bearings-**ZKLN100160-2Z**



Designation	ZKLN100160-2Z
Mass m = kg	4.9
Dimensions	
d	100
D -0,010	160
B -0,25	55
d1	132
r min.	0.6
r1 min.	0.6
Mounting dimensions	
Da max.	150
da min.	128
Basic load ratings axial	
dyn. Ca N	154000
stat. C0a N	435000
Fatigue limit load Cu N	22400
Lim- iting speed nG	3300
grease min-1	
Thermally safe	2150
operating speed nP	
min-1	
Bearing frictional torque	2.6
MR Nm	
Rigidity axial caL N/μm	1900
Tilting rigidity ckL	5800
Nm/mrad	
Mass moment of	85.3
inertia1) Mm kg · cm ²	
Axial runout1) μm	3
Recommended INA precision locknut2)	
For radial locking	ZMA100/140
Tightening torque4) MA AM100	
Nm	
Tightening torque4) MA 250	
Nm	
Required locknut	25624
force3) axial N	