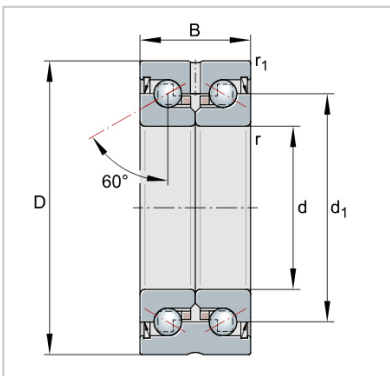


ZKLF ZKLN Double Direction Axial Angular Contact Ball Bearings

ZKLN Axial angular contact ball bearings-**ZKLN0832-2Z**



Designation	ZKLN0832-2Z
Mass m = kg	0.09
Dimensions	
d	8
D -0,010	32
B -0,25	20
d1	19
r min.	0.3
r1 min.	0.6
Mounting dimensions	
Da max.	26
da min.	11
Basic load ratings axial	
dyn. Ca N	13800
stat. C0a N	16300
Fatigue limit load Cu N	960
Lim- iting speed nG	15500
grease min-1	
Thermally safe	9500
operating speed nP	
min-1	
Bearing frictional torque	0.04
MR Nm	
Rigidity axial caL N/μm	250
Tilting rigidity ckL	20
Nm/mrad	
Mass moment of inertia1) Mm kg · cm ²	0.02
Axial runout1) μm	2
Recommended INA precision locknut2)	
For radial locking	ZM08
Tightening torque4) MA - Nm	
Tightening torque4) MA 4 Nm	
Required locknut force3) axial N	3468