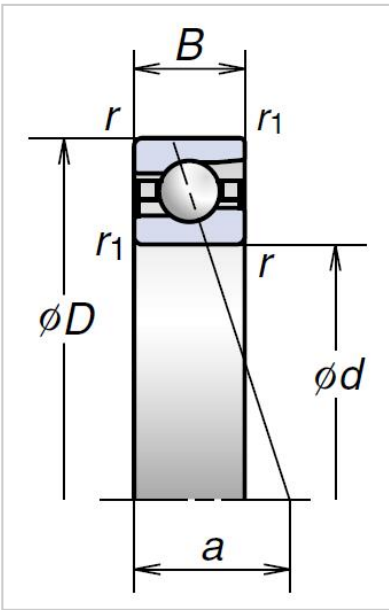


## Ultra High-Speed Angular Contact Ball Bearings

### BNR Series Ultra High-Speed Angular Contact Ball Bearings-95BNR19S



Bearing NO.	<b>95BNR19S</b>
Boundary Dimensions (mm)	
d	<b>95</b>
D	130
B	18
r (min.)	1.1
r1 (min.)	0.6
Basic Load Ratings (kN)	
Cr (Dynamic)	32
C0r (Static)	31
Permissible Axial Load (1) (kN)	50
Effective Load Center (mm) a	28.3
Sealed Design	
Limiting Speeds (2) (min <sup>-1</sup> )	
Grease	12500
Oil	17800
Mass (kg)	0.571