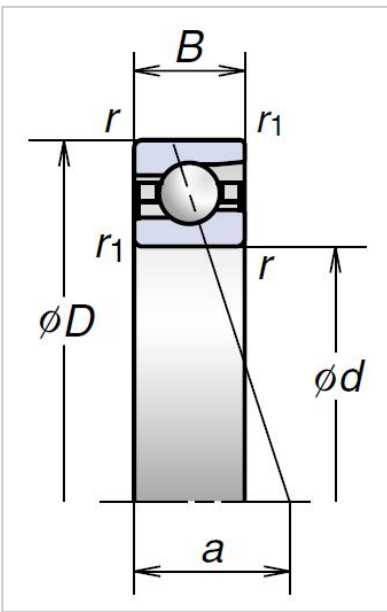


Ultra High-Speed Angular Contact Ball Bearings

BNR Series Ultra High-Speed Angular Contact Ball Bearings-95BNR19H



| | |
|--|-----------------|
| Bearing NO. | 95BNR19H |
| Boundary Dimensions (mm) | |
| d | 95 |
| D | 130 |
| B | 18 |
| r (min.) | 1.1 |
| r1 (min.) | 0.6 |
| Basic Load Ratings (kN) | |
| Cr (Dynamic) | 32 |
| C0r (Static) | 31 |
| Permissible Axial Load (1) (kN) | 32.5 |
| Effective Load Center (mm) a | 28.3 |
| Sealed Design | |
| Limiting Speeds (2) (min ⁻¹) | |
| Grease | 16000 |
| Oil | 24900 |
| Mass (kg) | 0.497 |