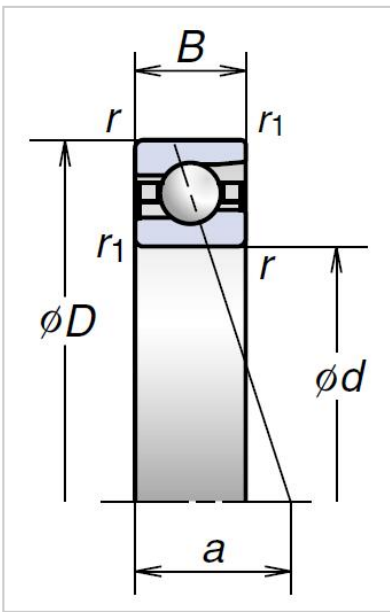


Ultra High-Speed Angular Contact Ball Bearings

BNR Series Ultra High-Speed Angular Contact Ball Bearings-90BNR19H



Bearing NO.	90BNR19H
Boundary Dimensions (mm)	
d	90
D	125
B	18
r (min.)	1.1
r1 (min.)	0.6
Basic Load Ratings (kN)	
Cr (Dynamic)	31.5
C0r (Static)	29.7
Permissible Axial Load (1) (kN)	28.1
Effective Load Center (mm) a	26.5
Sealed Design	
Limiting Speeds (2) (min ⁻¹)	
Grease	16800
Oil	26100
Mass (kg)	0.48