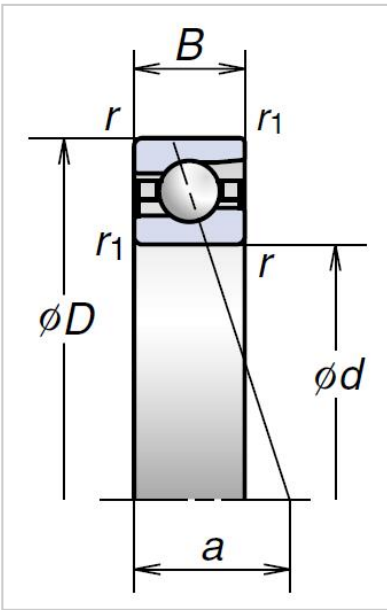


Ultra High-Speed Angular Contact Ball Bearings

BNR Series Ultra High-Speed Angular Contact Ball Bearings-75BNR19X



Bearing NO.	75BNR19X
Boundary Dimensions (mm)	
d	75
D	105
B	16
r (min.)	1
r1 (min.)	0.6
Basic Load Ratings (kN)	
Cr (Dynamic)	21.6
C0r (Static)	19
Permissible Axial Load (1) (kN)	18
Effective Load Center (mm) a	22.6
Sealed Design	
Limiting Speeds (2) (min ⁻¹)	
Grease	23400
Oil	36700
Mass (kg)	0.31