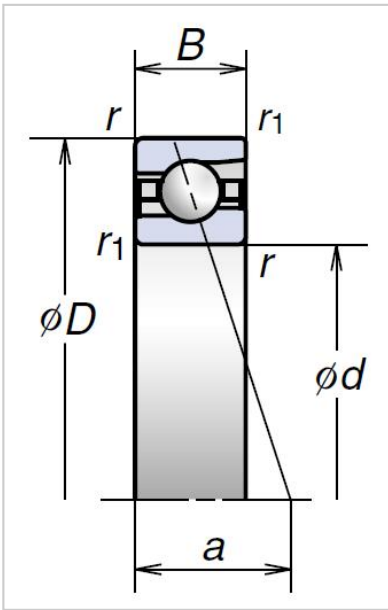


Ultra High-Speed Angular Contact Ball Bearings

BNR Series Ultra High-Speed Angular Contact Ball Bearings-70BNR19X



Bearing NO.	70BNR19X
Boundary Dimensions (mm)	
d	70
D	100
B	16
r (min.)	1
r1 (min.)	0.6
Basic Load Ratings (kN)	
Cr (Dynamic)	21.3
C0r (Static)	18.1
Permissible Axial Load (1) (kN)	17.1
Effective Load Center (mm) a	21.8
Sealed Design	
Limiting Speeds (2) (min ⁻¹)	
Grease	24800
Oil	38900
Mass (kg)	0.292