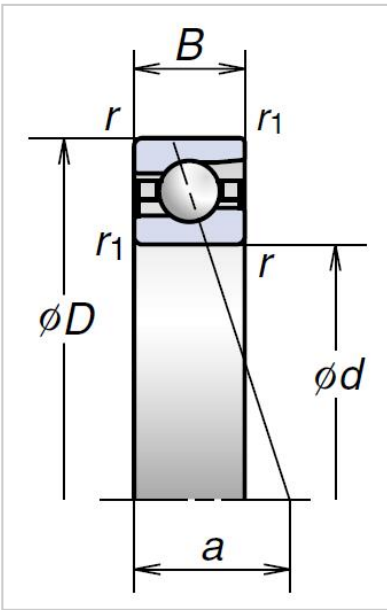


## Ultra High-Speed Angular Contact Ball Bearings

### BNR Series Ultra High-Speed Angular Contact Ball Bearings-70BNR19S



Bearing NO.	<b>70BNR19S</b>
Boundary Dimensions (mm)	
d	<b>70</b>
D	100
B	16
r (min.)	<b>1</b>
r1 (min.)	0.6
Basic Load Ratings (kN)	
Cr (Dynamic)	21.3
C0r (Static)	18.1
Permissible Axial Load (1) (kN)	26.1
Effective Load Center (mm) a	21.8
Sealed Design	
Limiting Speeds (2) (min <sup>-1</sup> )	
Grease	16500
Oil	23600
Mass (kg)	0.328