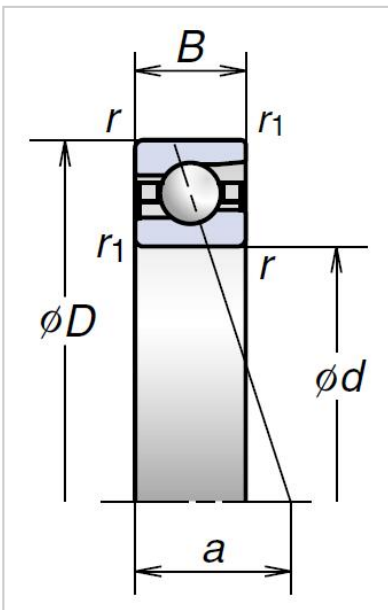


## Ultra High-Speed Angular Contact Ball Bearings

### BNR Series Ultra High-Speed Angular Contact Ball Bearings-65BNR19X



Bearing NO.	<b>65BNR19X</b>
Boundary Dimensions (mm)	
d	<b>65</b>
D	90
B	13
r (min.)	<b>1</b>
r1 (min.)	0.6
Basic Load Ratings (kN)	
Cr (Dynamic)	15.2
C0r (Static)	13.2
Permissible Axial Load (1) (kN)	12.3
Effective Load Center (mm) a	19.1
Sealed Design	
Limiting Speeds (2) (min <sup>-1</sup> )	
Grease	27100
Oil	42600
Mass (kg)	0.181