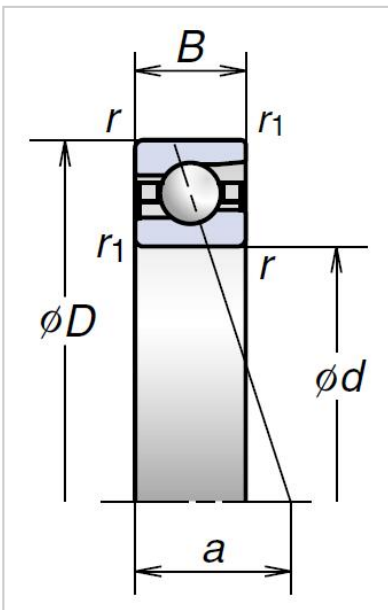


Ultra High-Speed Angular Contact Ball Bearings

BNR Series Ultra High-Speed Angular Contact Ball Bearings-65BNR19H



Bearing NO.	65BNR19H
Boundary Dimensions (mm)	
d	65
D	90
B	13
r (min.)	1
r1 (min.)	0.6
Basic Load Ratings (kN)	
Cr (Dynamic)	15.2
C0r (Static)	13.2
Permissible Axial Load (1) (kN)	12.3
Effective Load Center (mm) a	19.1
Sealed Design	
Limiting Speeds (2) (min ⁻¹)	
Grease	23300
Oil	36200
Mass (kg)	0.181