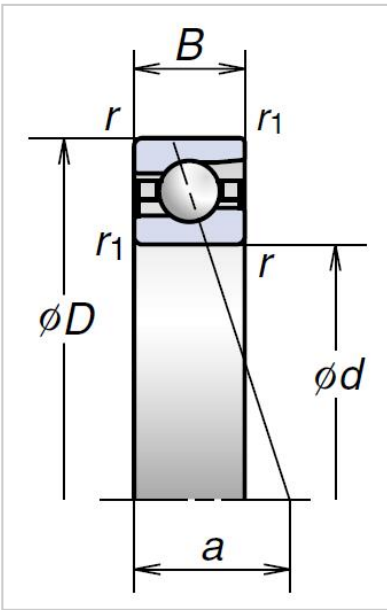


Ultra High-Speed Angular Contact Ball Bearings

BNR Series Ultra High-Speed Angular Contact Ball Bearings-60BNR19X



Bearing NO.	60BNR19X
Boundary Dimensions (mm)	
d	60
D	85
B	13
r (min.)	1
r1 (min.)	0.6
Basic Load Ratings (kN)	
Cr (Dynamic)	14.6
C0r (Static)	12
Permissible Axial Load (1) (kN)	11.2
Effective Load Center (mm) a	18.3
Sealed Design	
Limiting Speeds (2) (min ⁻¹)	
Grease	29000
Oil	45600
Mass (kg)	0.17