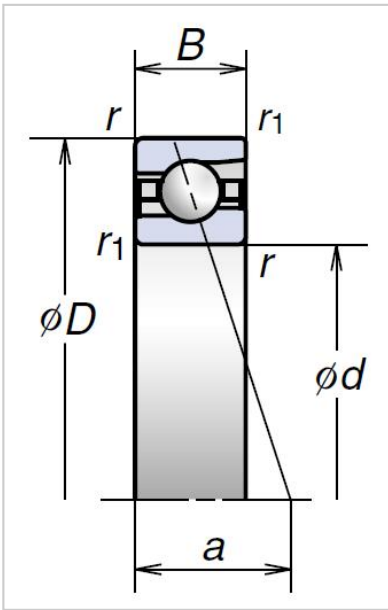


## Ultra High-Speed Angular Contact Ball Bearings

### BNR Series Ultra High-Speed Angular Contact Ball Bearings-60BNR19H



Bearing NO.	<b>60BNR19H</b>
Boundary Dimensions (mm)	
d	<b>60</b>
D	85
B	13
r (min.)	<b>1</b>
r1 (min.)	0.6
Basic Load Ratings (kN)	
Cr (Dynamic)	14.6
C0r (Static)	12
Permissible Axial Load (1) (kN)	11.2
Effective Load Center (mm) a	18.3
Sealed Design	
Limiting Speeds (2) (min <sup>-1</sup> )	
Grease	24900
Oil	38700
Mass (kg)	0.17