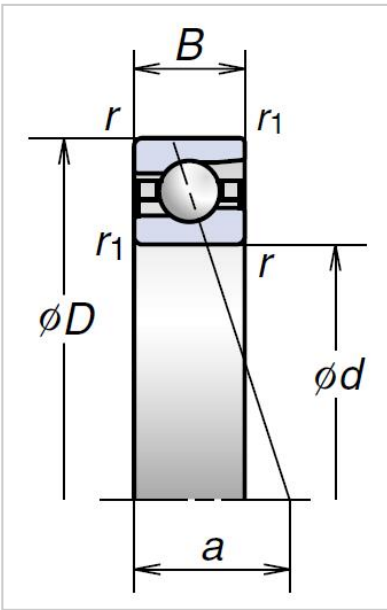


Ultra High-Speed Angular Contact Ball Bearings

BNR Series Ultra High-Speed Angular Contact Ball Bearings-55BNR19S



Bearing NO.	55BNR19S
Boundary Dimensions (mm)	
d	55
D	80
B	13
r (min.)	1
r1 (min.)	0.6
Basic Load Ratings (kN)	
Cr (Dynamic)	14.4
C0r (Static)	11.4
Permissible Axial Load (1) (kN)	16.2
Effective Load Center (mm) a	17.5
Sealed Design	
Limiting Speeds (2) (min ⁻¹)	
Grease	20800
Oil	29700
Mass (kg)	0.178