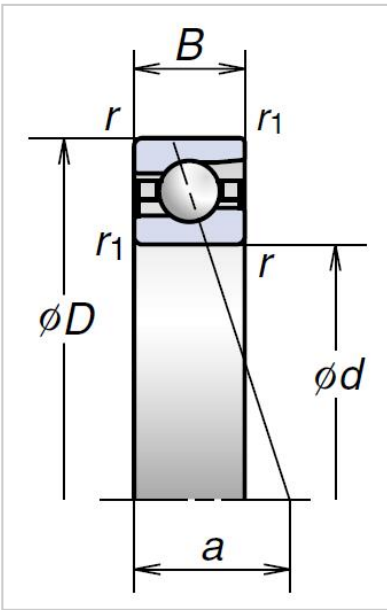


Ultra High-Speed Angular Contact Ball Bearings

BNR Series Ultra High-Speed Angular Contact Ball Bearings-50BNR19X



Bearing NO.	50BNR19X
Boundary Dimensions (mm)	
d	50
D	72
B	12
r (min.)	0.6
r1 (min.)	0.3
Basic Load Ratings (kN)	
Cr (Dynamic)	12.8
C0r (Static)	9.75
Permissible Axial Load (1) (kN)	9.1
Effective Load Center (mm) a	15.9
Sealed Design	
Limiting Speeds (2) (min ⁻¹)	
Grease	34500
Oil	54100
Mass (kg)	0.111