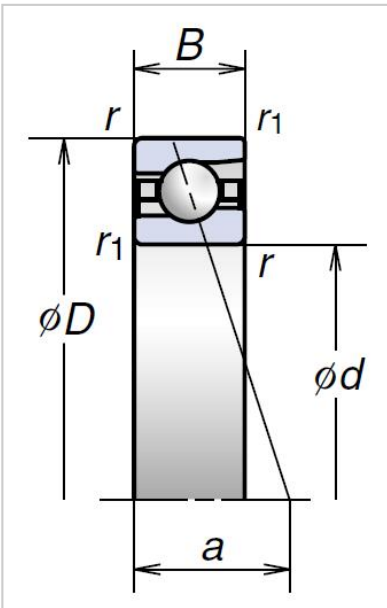


Ultra High-Speed Angular Contact Ball Bearings

BNR Series Ultra High-Speed Angular Contact Ball Bearings-35BNR19S



Bearing NO.	35BNR19S
Boundary Dimensions (mm)	
d	35
D	55
B	10
r (min.)	0.6
r1 (min.)	0.3
Basic Load Ratings (kN)	
Cr (Dynamic)	9.2
C0r (Static)	6
Permissible Axial Load (1) (kN)	8.55
Effective Load Center (mm) a	12.3
Sealed Design	
Limiting Speeds (2) (min ⁻¹)	
Grease	31200
Oil	44500
Mass (kg)	0.072