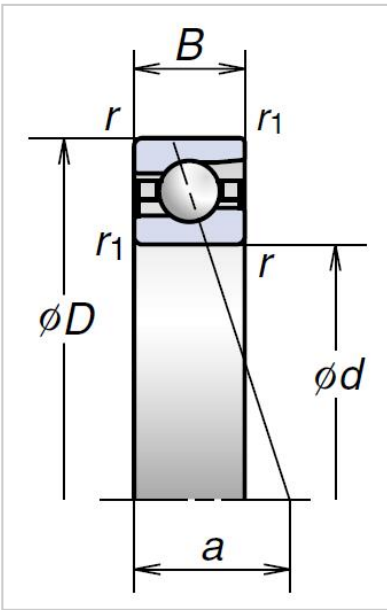


## Ultra High-Speed Angular Contact Ball Bearings

### BNR Series Ultra High-Speed Angular Contact Ball Bearings-25BNR19X



Bearing NO.	<b>25BNR19X</b>
Boundary Dimensions (mm)	
d	<b>25</b>
D	42
B	<b>9</b>
r (min.)	0.3
r1 (min.)	0.15
Basic Load Ratings (kN)	
Cr (Dynamic)	5.95
C0r (Static)	3.5
Permissible Axial Load (1) (kN)	3.25
Effective Load Center (mm) a	9.9
Sealed Design	-
Limiting Speeds (2) (min <sup>-1</sup> )	
Grease	62700
Oil	98600
Mass (kg)	0.038