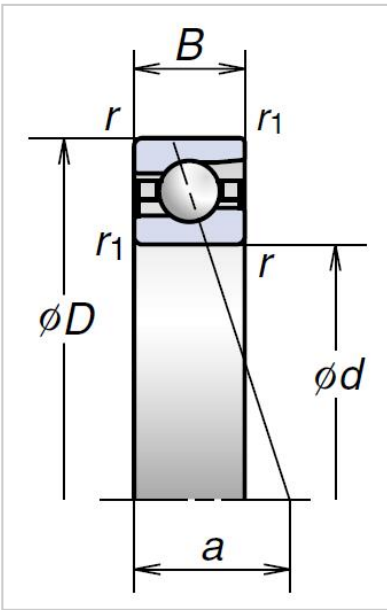


## Ultra High-Speed Angular Contact Ball Bearings

### BNR Series Ultra High-Speed Angular Contact Ball Bearings-140BNR19S



Bearing NO.	<b>140BNR19S</b>
Boundary Dimensions (mm)	
d	<b>140</b>
D	190
B	24
r (min.)	1.5
r1 (min.)	<b>1</b>
Basic Load Ratings (kN)	
Cr (Dynamic)	60
C0r (Static)	61.5
Permissible Axial Load (1) (kN)	89.5
Effective Load Center (mm) a	38.8
Sealed Design	-
Limiting Speeds (2) (min <sup>-1</sup> )	
Grease	8500
Oil	12200
Mass (kg)	1.567