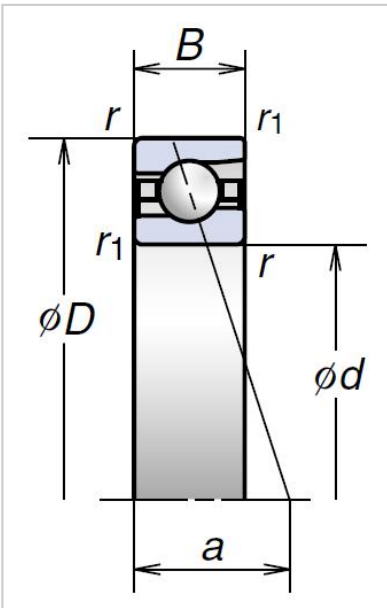


Ultra High-Speed Angular Contact Ball Bearings

BNR Series Ultra High-Speed Angular Contact Ball Bearings-140BNR19H



Bearing NO.	140BNR19H
Boundary Dimensions (mm)	
d	140
D	190
B	24
r (min.)	1.5
r1 (min.)	1
Basic Load Ratings (kN)	
Cr (Dynamic)	60
C0r (Static)	61.5
Permissible Axial Load (1) (kN)	58.5
Effective Load Center (mm) a	38.8
Sealed Design	-
Limiting Speeds (2) (min ⁻¹)	
Grease	11000
Oil	17000
Mass (kg)	1.353