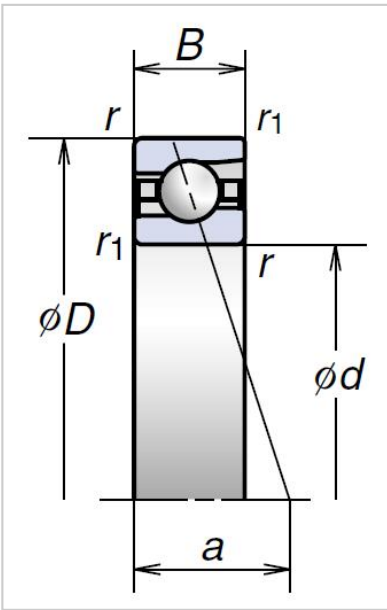


Ultra High-Speed Angular Contact Ball Bearings

BNR Series Ultra High-Speed Angular Contact Ball Bearings-130BNR19H



Bearing NO.	130BNR19H
Boundary Dimensions (mm)	
d	130
D	180
B	24
r (min.)	1.5
r1 (min.)	1
Basic Load Ratings (kN)	
Cr (Dynamic)	59.5
C0r (Static)	58.5
Permissible Axial Load (1) (kN)	56
Effective Load Center (mm) a	37.2
Sealed Design	-
Limiting Speeds (2) (min ⁻¹)	
Grease	11700
Oil	18100
Mass (kg)	1.265