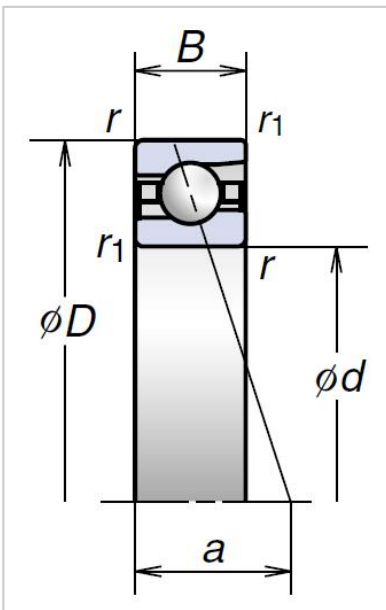


Ultra High-Speed Angular Contact Ball Bearings

BNR Series Ultra High-Speed Angular Contact Ball Bearings-120BNR19S



Bearing NO.	120BNR19S
Boundary Dimensions (mm)	
d	120
D	165
B	22
r (min.)	1.1
r1 (min.)	0.6
Basic Load Ratings (kN)	
Cr (Dynamic)	54
C0r (Static)	52
Permissible Axial Load (1) (kN)	75
Effective Load Center (mm) a	34.2
Sealed Design	-
Limiting Speeds (2) (min ⁻¹)	
Grease	9900
Oil	14100
Mass (kg)	1.124