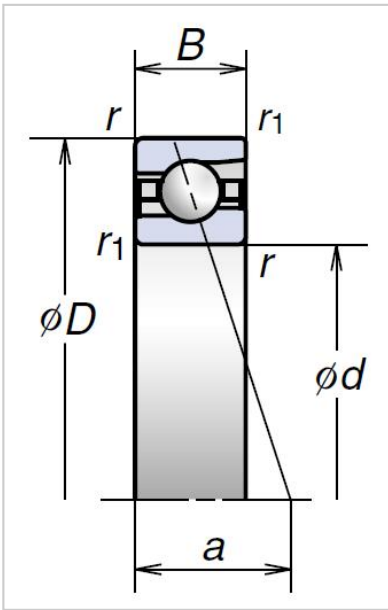


## Ultra High-Speed Angular Contact Ball Bearings

### BNR Series Ultra High-Speed Angular Contact Ball Bearings-110BNR19H



Bearing NO.	<b>110BNR19H</b>
Boundary Dimensions (mm)	
d	<b>110</b>
D	150
B	20
r (min.)	1.1
r1 (min.)	0.6
Basic Load Ratings (kN)	
Cr (Dynamic)	39
C0r (Static)	38
Permissible Axial Load (1) (kN)	42
Effective Load Center (mm) a	31.1
Sealed Design	-
Limiting Speeds (2) (min <sup>-1</sup> )	
Grease	13900
Oil	21600
Mass (kg)	0.733