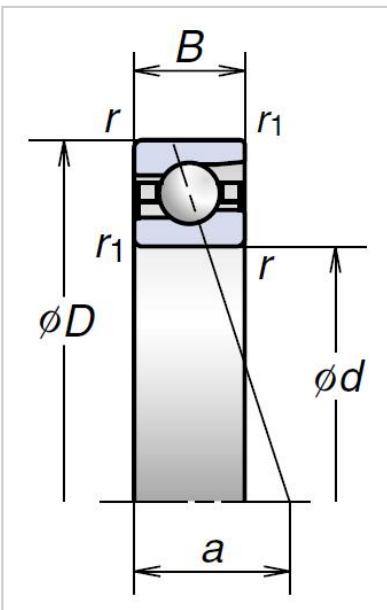


Ultra High-Speed Angular Contact Ball Bearings

BNR Series Ultra High-Speed Angular Contact Ball Bearings-100BNR19X



Bearing NO.	100BNR19X
Boundary Dimensions (mm)	
d	100
D	140
B	20
r (min.)	1.1
r1 (min.)	0.6
Basic Load Ratings (kN)	
Cr (Dynamic)	38
C0r (Static)	35
Permissible Axial Load (1) (kN)	33
Effective Load Center (mm) a	29.5
Sealed Design	
Limiting Speeds (2) (min ⁻¹)	
Grease	17500
Oil	27500
Mass (kg)	0.673