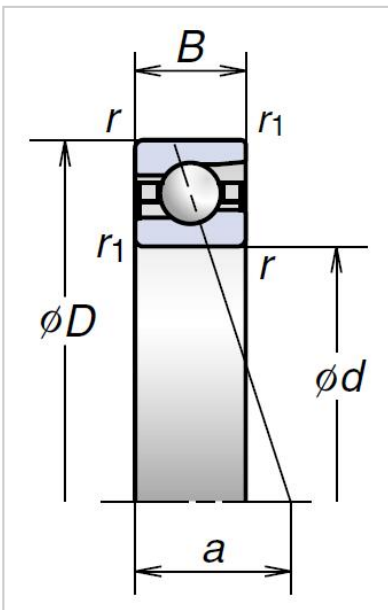


## Ultra High-Speed Angular Contact Ball Bearings

### BNR Series Ultra High-Speed Angular Contact Ball Bearings-100BNR19S



Bearing NO.	<b>100BNR19S</b>
Boundary Dimensions (mm)	
d	<b>100</b>
D	140
B	20
r (min.)	1.1
r1 (min.)	0.6
Basic Load Ratings (kN)	
Cr (Dynamic)	38
C0r (Static)	35
Permissible Axial Load (1) (kN)	50.5
Effective Load Center (mm) a	29.5
Sealed Design	
Limiting Speeds (2) (min <sup>-1</sup> )	
Grease	11700
Oil	16700
Mass (kg)	0.77