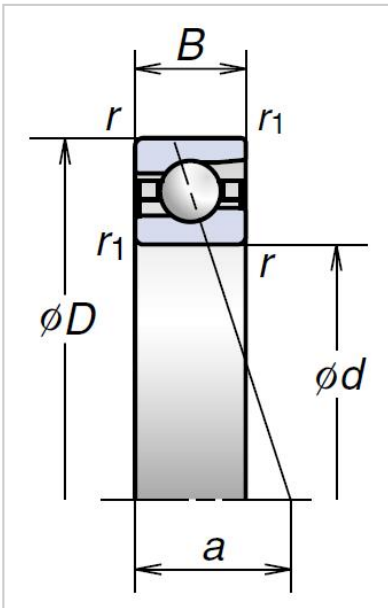


Ultra High-Speed Angular Contact Ball Bearings

BGR Series Ultra High-Speed Angular Contact Ball Bearings-8BGR10X



Bearing NO.	8BGR10X
Dimensions	
D (mm)	8
d (mm)	22
2B (mm)	7
r Min	0.3
r1 Min	0.15
Basic Loading Ratings(KN)	
Cr (Dynamic)	2.37
C0r (Static)	0.8
Permissible axial load (KN)	0.63
Effective load center(mm) a	5.5
Limiting speeds [rpm]min-1	
Grease	147000
Oil	200000
Weight (kg)	0.011