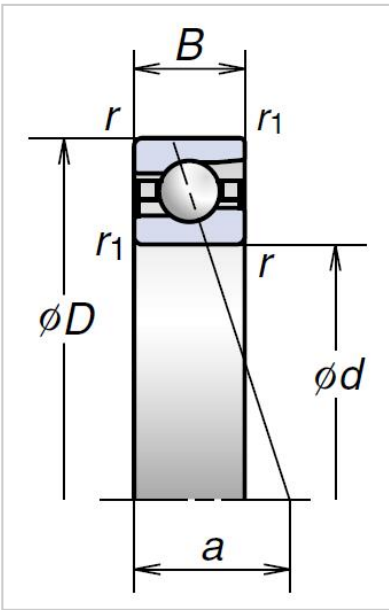


## Ultra High-Speed Angular Contact Ball Bearings

### BGR Series Ultra High-Speed Angular Contact Ball Bearings-8BGR10S



Bearing NO.	<b>8BGR10S</b>
Dimensions	
D (mm)	<b>8</b>
d (mm)	22
2B (mm)	7
r Min	0.3
r1 Min	0.15
Basic Loading Ratings(KN)	
Cr (Dynamic)	2.37
C0r (Static)	0.8
Permissible axial load (KN)	0.97
Effective load center(mm) a	5.5
Limiting speeds [rpm][min-1]	
Grease	107000
Oil	147000
Weight (kg)	0.012