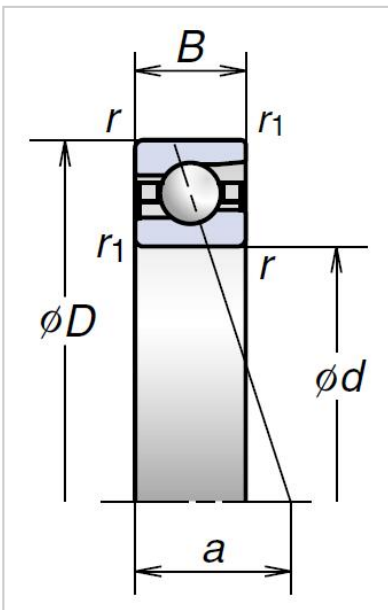


Ultra High-Speed Angular Contact Ball Bearings

BGR Series Ultra High-Speed Angular Contact Ball Bearings-6BGR10X



| | |
|------------------------------|----------------|
| Bearing NO. | 6BGR10X |
| Dimensions | |
| D (mm) | 6 |
| d (mm) | 17 |
| 2B (mm) | 6 |
| r Min | 0.3 |
| r1 Min | 0.15 |
| Basic Loading Ratings(KN) | |
| Cr (Dynamic) | 1.42 |
| C0r (Static) | 0.43 |
| Permissible axial load (KN) | 0.34 |
| Effective load center(mm) a | 4.5 |
| Limiting speeds [rpm][min-1] | |
| Grease | 192000 |
| Oil | 261000 |
| Weight (kg) | 0.005 |