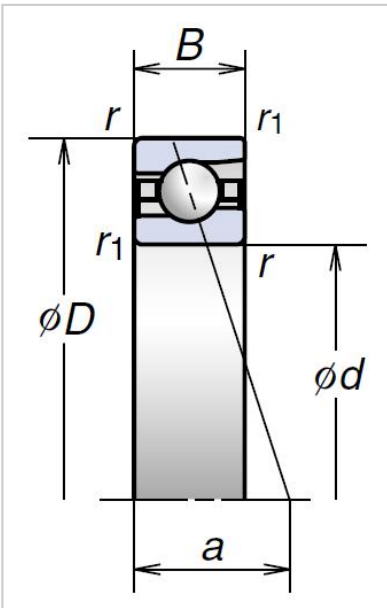


## Ultra High-Speed Angular Contact Ball Bearings

### BGR Series Ultra High-Speed Angular Contact Ball Bearings-25BGR19X



Bearing NO.	<b>25BGR19X</b>
Dimensions	
D (mm)	<b>25</b>
d (mm)	42
2B (mm)	<b>9</b>
r Min	0.3
r1 Min	0.15
Basic Loading Ratings(KN)	
Cr (Dynamic)	5.4
C0r (Static)	2.76
Permissible axial load (KN)	2.22
Effective load center(mm) a	<b>9</b>
Limiting speeds [rpm]min-1	
Grease	65700
Oil	89600
Weight (kg)	0.039