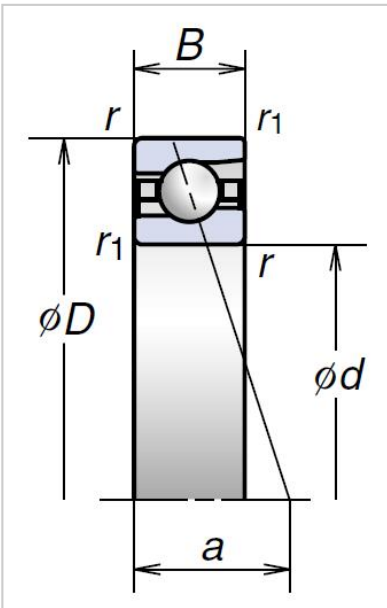


## Ultra High-Speed Angular Contact Ball Bearings

### BGR Series Ultra High-Speed Angular Contact Ball Bearings-25BGR10S



Bearing NO.	<b>25BGR10S</b>
Dimensions	
D (mm)	<b>25</b>
d (mm)	47
2B (mm)	12
r Min	0.6
r1 Min	0.3
Basic Loading Ratings(KN)	
Cr (Dynamic)	7.9
C0r (Static)	3.75
Permissible axial load (KN)	4.65
Effective load center(mm) a	10.8
Limiting speeds [rpm]min-1	
Grease	44500
Oil	61200
Weight (kg)	0.076