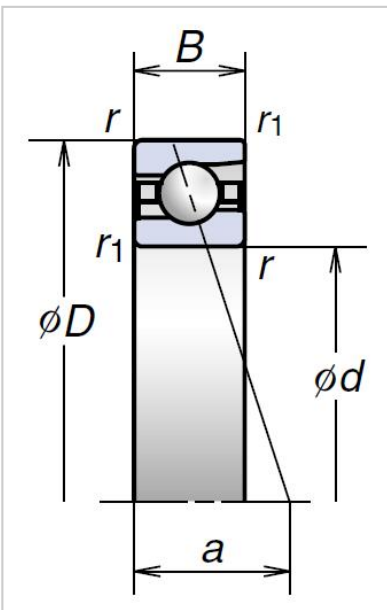


Ultra High-Speed Angular Contact Ball Bearings

BGR Series Ultra High-Speed Angular Contact Ball Bearings-25BGR02H



Bearing NO.	25BGR02H
Dimensions	
D (mm)	25
d (mm)	52
2B (mm)	15
r Min	1
r1 Min	0.6
Basic Loading Ratings(KN)	
Cr (Dynamic)	11.1
C0r (Static)	5.2
Permissible axial load (KN)	4.2
Effective load center(mm) a	12.7
Limiting speeds [rpm][min-1]	
Grease	49400
Oil	72800
Weight (kg)	0.112