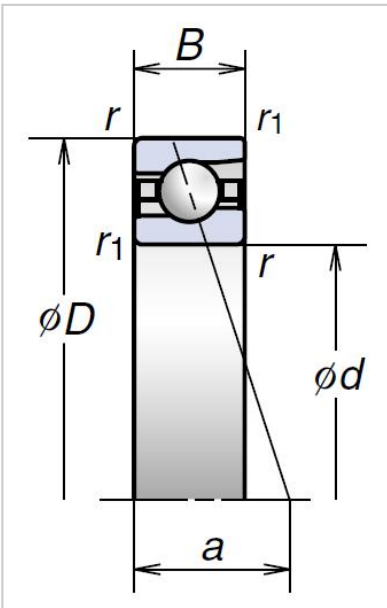


## Ultra High-Speed Angular Contact Ball Bearings

### BGR Series Ultra High-Speed Angular Contact Ball Bearings-20BGR10X



Bearing NO.	<b>20BGR10X</b>
Dimensions	
D (mm)	<b>20</b>
d (mm)	42
2B (mm)	12
r Min	0.6
r1 Min	0.3
Basic Loading Ratings(KN)	
Cr (Dynamic)	7.45
C0r (Static)	3.35
Permissible axial load (KN)	2.67
Effective load center(mm) a	10.2
Limiting speeds [rpm]min-1	
Grease	71000
Oil	96800
Weight (kg)	0.059