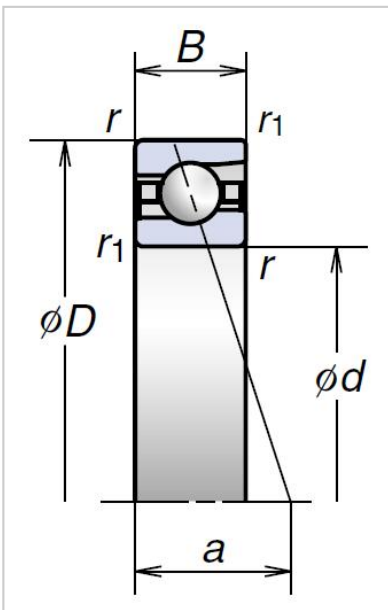


## Ultra High-Speed Angular Contact Ball Bearings

### BGR Series Ultra High-Speed Angular Contact Ball Bearings-20BGR02S



|                              |                 |
|------------------------------|-----------------|
| Bearing NO.                  | <b>20BGR02S</b> |
| Dimensions                   |                 |
| D (mm)                       | <b>20</b>       |
| d (mm)                       | 47              |
| 2B (mm)                      | 14              |
| r Min                        | 1               |
| r1 Min                       | 0.6             |
| Basic Loading Ratings(KN)    |                 |
| Cr (Dynamic)                 | 9.7             |
| C0r (Static)                 | 4.1             |
| Permissible axial load (KN)  | 5.1             |
| Effective load center(mm) a  | 11.5            |
| Limiting speeds [rpm][min-1] |                 |
| Grease                       | 47800           |
| Oil                          | 65700           |
| Weight (kg)                  | 0.103           |